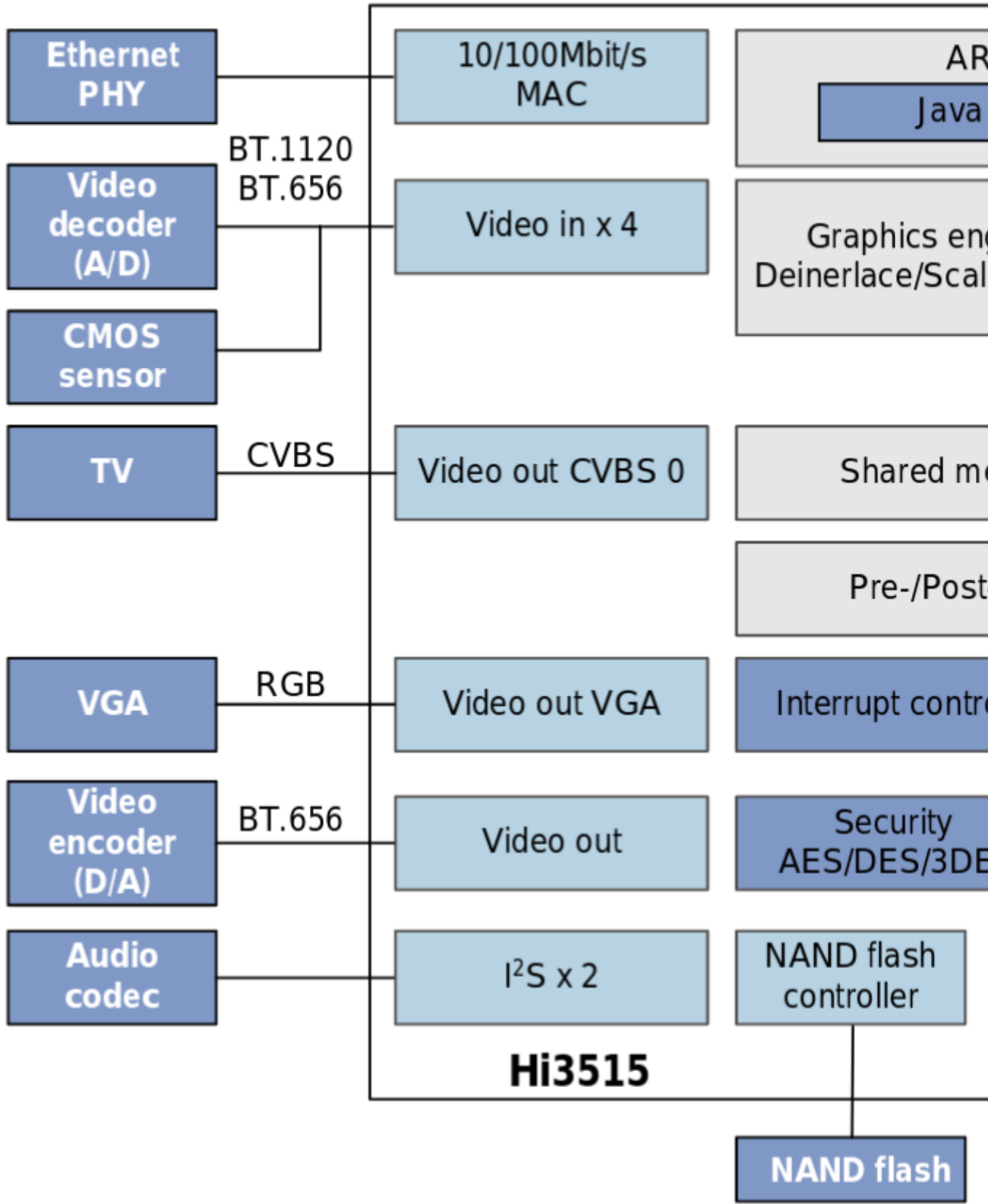


Functional Block Diagram



Contents: [Dobrica PavlinuÅ;jiÄ 's random unstructured stuff]

- Dobrica PavlinuÅ;jiÄ 's random unstructured stuff (Key Features)
 - ◆ Dobrica PavlinuÅ;jiÄ 's random unstructured stuff (CPU Core)
 - ◆ Dobrica PavlinuÅ;jiÄ 's random unstructured stuff (Video Encoding/Decodingz)
- Dobrica PavlinuÅ;jiÄ 's random unstructured stuff (serial)
- Dobrica PavlinuÅ;jiÄ 's random unstructured stuff (links)
- Dobrica PavlinuÅ;jiÄ 's random unstructured stuff (SDK)
 - ◆ Dobrica PavlinuÅ;jiÄ 's random unstructured stuff (mtd)
 - ◆ Dobrica PavlinuÅ;jiÄ 's random unstructured stuff (setup ftp writable server)
 - ◆ Dobrica PavlinuÅ;jiÄ 's random unstructured stuff (backup)
- Dobrica PavlinuÅ;jiÄ 's random unstructured stuff (tar+nc backup)
 - ◆ Dobrica PavlinuÅ;jiÄ 's random unstructured stuff (on device)
 - ◆ Dobrica PavlinuÅ;jiÄ 's random unstructured stuff (on receiving side)

Key Features

CPU Core

zARM926EJ

I-cache 16 KB, D-cache 16 KB

I-TCM 2 KB

Built-in MMU, supporting multiple open operating systems such as VxWorks, Linux, WinCE, and PalmOS

Up to 400 MHz operating frequency

Video Encoding/Decodingz

H.264 main profile encoding/decoding

H.264 baseline profile encoding/decoding

JPEG/MJPEG baseline encoding/decoding

serial

EN-6704V 4 channel H.264 digital video recorder for @RadionaOrg has 3.3V uart with pinout GND, TX, RX, 5V

mozilla-ktdvr-plugin

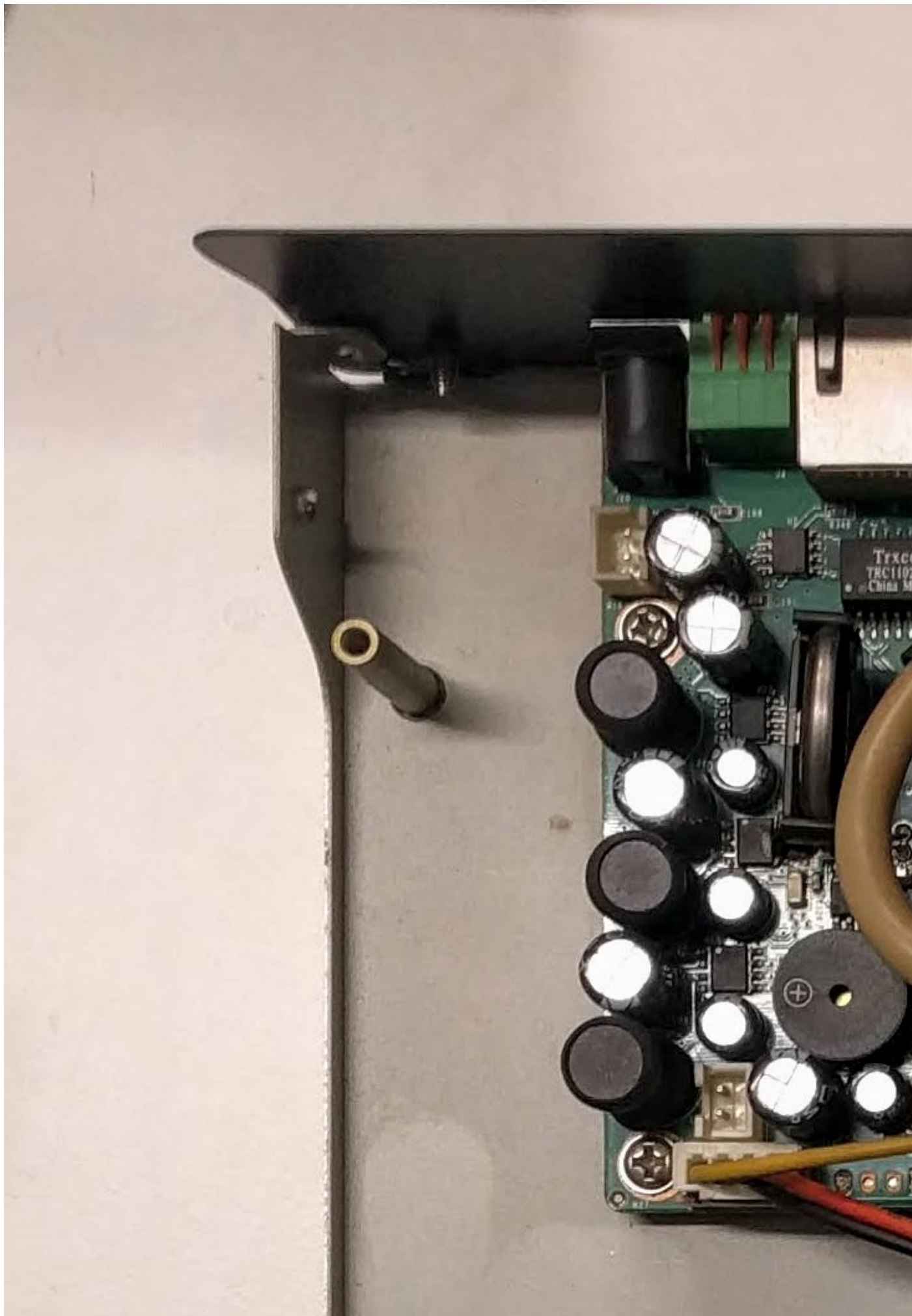
en-6704v

j87

+--- +---+
|1 2 3 4|

+-----+

- 1 - gnd
- 2 - 2.29
- 3 - 3.3
- 4 - 5v



hi3515v100

links

<http://www.i-1.nl/blog/wp-content/uploads/CCF-paper-Forensic-reliability-DVR.pdf>

<https://openhisiipcam.org/hardware/briefs/hi3515v100.pdf>

<https://github.com/zetalabs/ezbox/blob/master/pool/bootstrap/target/linux/hi35xx/patches-2.6.32/010-mach-h>

<http://users.atw.hu/balubati/blog/index.php?m=08&y=12&d=18&entry=entry120818-102937&PHPSESSID=4>

SDK

<https://github.com/bluhbluh/Hi3515-SDK>

```
dpavlin@nuc:/nuc/hi3515v100$ git clone https://github.com/bluhbluh/Hi3515-SDK
Cloning into 'Hi3515-SDK'...
remote: Enumerating objects: 362, done.
remote: Counting objects: 100% (362/362), done.
remote: Compressing objects: 100% (312/312), done.
remote: Total 362 (delta 45), reused 362 (delta 45), pack-reused 0
Receiving objects: 100% (362/362), 277.99 MiB | 5.77 MiB/s, done.
Resolving deltas: 100% (45/45), done.
Checking out files: 100% (336/336), done.
```

mtd

```
/stm/disk/0/p1/mtd-backup $ ls -al /dev/mtdblock*
brw-rw---- 1 root root 31, 0 Jan 1 1970 /dev/mtdblock0
brw-rw---- 1 root root 31, 1 Jan 1 1970 /dev/mtdblock1
brw-rw---- 1 root root 31, 2 Jan 1 1970 /dev/mtdblock2
brw-rw---- 1 root root 31, 3 Mar 23 00:31 /dev/mtdblock3
/stm/disk/0/p1/mtd-backup $ dd if=/dev/mtdblock0 of=0 bs=128k
32+0 records in
32+0 records out
/stm/disk/0/p1/mtd-backup $ ls -al
drwxr-xr-x 2 root root 4096 Mar 23 02:06 .
drwxr-xr-x 25 root root 4096 Mar 23 02:06 ..
-rw-r--r-- 1 root root 4194304 Mar 23 02:06 0
/stm/disk/0/p1/mtd-backup $ dd if=/dev/mtdblock1 of=1 bs=128k
96+0 records in
96+0 records out
/stm/disk/0/p1/mtd-backup $ dd if=/dev/mtdblock2 of=2 bs=128k
112+0 records in
112+0 records out
/stm/disk/0/p1/mtd-backup $ dd if=/dev/mtdblock3 of=3 bs=128k
16+0 records in
16+0 records out
```

setup tftp writable server

```
dpavlin@x200:/mnt/nuc/hi3515v100$ cat /etc/default/tftpd-hpa  
# /etc/default/tftpd-hpa
```

```
TFTP_USERNAME="tft"  
TFTP_DIRECTORY="/srv/tftp"  
TFTP_ADDRESS="192.168.1.1:69"  
TFTP_OPTIONS="--secure --create"
```

backup

```
/stm/disk/0/p1/mtd-backup $ tftp -p -l 0 -r /0 192.168.1.1  
/stm/disk/0/p1/mtd-backup $ tftp -p -l 1 -r /1 192.168.1.1  
/stm/disk/0/p1/mtd-backup $ tftp -p -l 2 -r /2 192.168.1.1  
/stm/disk/0/p1/mtd-backup $ tftp -p -l 3 -r /3 192.168.1.1
```

tar+nc backup

on device

```
/mnt $ tar -cv -f - . | nc 192.168.1.1 8888
```

on receiving side

```
dpavlin@x200:/mnt/nuc/hi3515v100/mnt-backup$ nc -l -p 8888 | tee mnt.tar | tar tvf -
```

Nice verbose output during backup on both sides and nc is much faster than tftp.