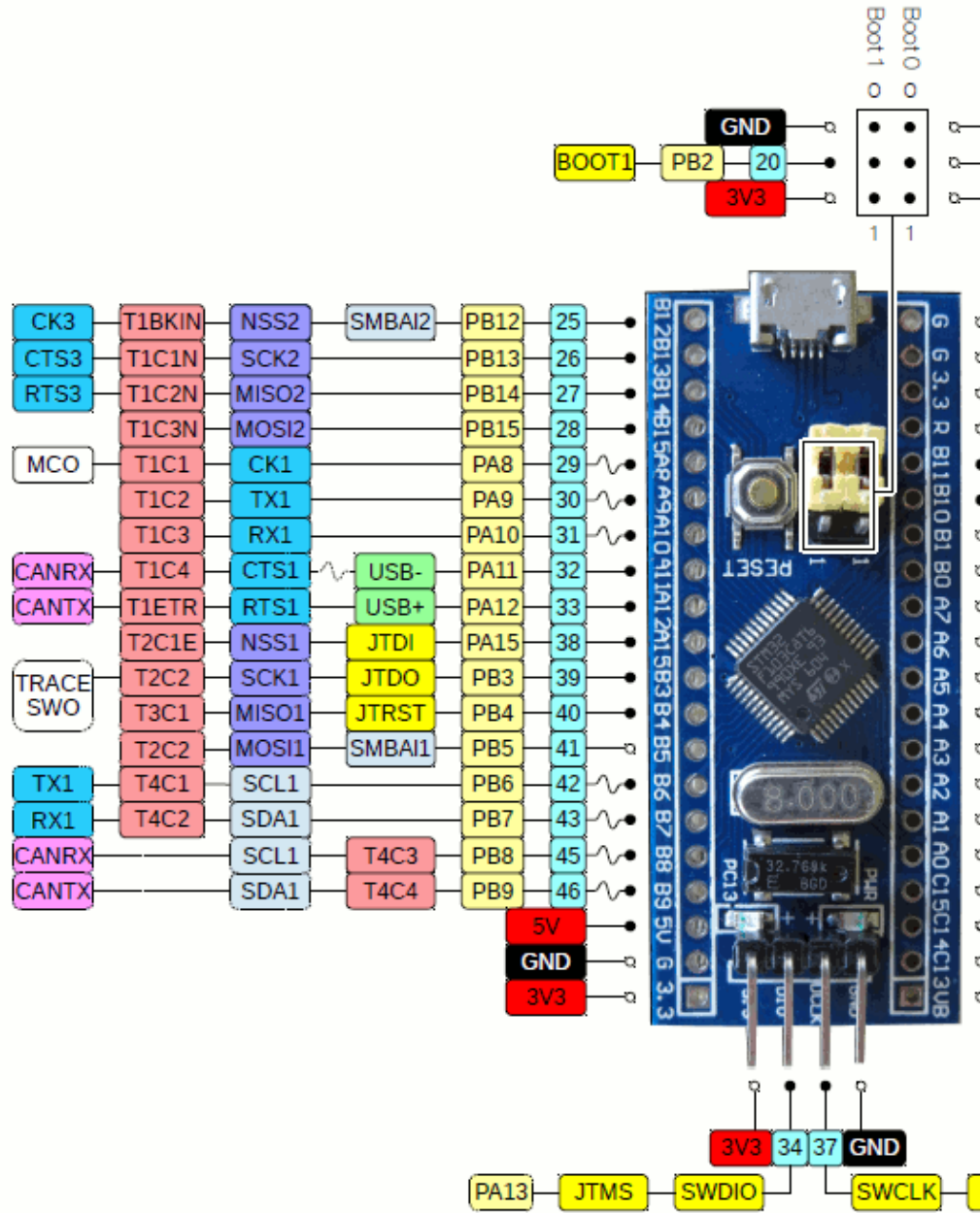


LEGEND

POWER
GROUND
PHYSICAL PIN
PIN NAME
CONTROL
ANALOG
TIMER & CHANNEL
USART
SPI
I2C
CAN BUS
USB
MISC
BOARD HARDWARE

● 5V tolerant  
 ○ Not 5V tolerant  
 ~ PWM pin  
 — Alternate function  
 ⚠ PC13,PC14,PC15: Sink max 3mA, source 0mA, max 2mhz, max 30pF

Absolute MAX 150mA total source/sink for entire CPU  
 Max ±20mA per pin, ±8mA recommended



File: 0x0266400 [0, 0]

Contents: [Dobrica Pavlinu's random unstructured stuff]

- [Dobrica Pavlinu's random unstructured stuff \(Black Magic Probe\)](#)
- [Dobrica Pavlinu's random unstructured stuff \(links\)](#)
- [Dobrica Pavlinu's random unstructured stuff \(blue pill\)](#)
- [Dobrica Pavlinu's random unstructured stuff \(st-link\)](#)

# Black Magic Probe

<https://github.com/blackspere/blackmagic>

## links

- <https://github.com/blackspere/blackmagic/pull/198/files>
- [https://embdev.net/articles/STM\\_Discovery\\_as\\_Black\\_Magic\\_Probe](https://embdev.net/articles/STM_Discovery_as_Black_Magic_Probe)
- stlink clone <https://github.com/blackspere/blackmagic/issues/62>
- <https://github.com/jsnyder/stm32loader>

## blue pill

[http://wiki.stm32duino.com/index.php?title=Blue\\_Pill](http://wiki.stm32duino.com/index.php?title=Blue_Pill)

```
dpavlin@klin:/rest/cvs/blackmagic/src$ make PROBE_HOST=stli
```

```
LD      blackmagic
/usr/lib/gcc/arm-none-eabi/5.4.1/../../../../arm-none-eabi/bin/ld: address 0x8010dd0 of blackmagic s
/usr/lib/gcc/arm-none-eabi/5.4.1/../../../../arm-none-eabi/bin/ld: blackmagic section `.data' will n
/usr/lib/gcc/arm-none-eabi/5.4.1/../../../../arm-none-eabi/bin/ld: address 0x8010dd0 of blackmagic s
/usr/lib/gcc/arm-none-eabi/5.4.1/../../../../arm-none-eabi/bin/ld: region `rom' overflowed by 3768 b
collect2: error: ld returned 1 exit status
Makefile:66: recipe for target 'blackmagic' failed
make: *** [blackmagic] Error 1
```

```
git remote add mubes https://github.com/mubes/blackmagic
git fetch mubes
git checkout -b bluepill mubes/bluepill
```

```
make clean
```

```
# gcc 5 generates too big binaries!
export PATH=/opt/DesignLab-1.0.8/hardware/tools/gcc-arm-none-eabi-4.8.3-2014q1/bin/:$PATH
```

```
make PROBE_HOST=bluepill
```

```
/nuc/stm32/stlink/build/Release/st-flash erase
```

```
/nuc/stm32/stlink/build/Release/st-flash write blackmagic_dfu.bin 0x8000000
```

```
/nuc/stm32/stlink/build/Release/st-flash write blackmagic.bin 0x8002000
```

```
# power cycle blue pill
```

```
dpavlin@nuc:/nuc/stm32/blackmagic/src$ dmesg | tail -8 | cut -c18-
usb 2-4.4: new full-speed USB device number 12 using xhci_hcd
usb 2-4.4: New USB device found, idVendor=1d50, idProduct=6018
usb 2-4.4: New USB device strings: Mfr=1, Product=2, SerialNumber=3
usb 2-4.4: Product: Black Magic Probe (Bluepill), (Firmware v1.6-rc0-274-g39197b7)
usb 2-4.4: Manufacturer: Black Sphere Technologies
usb 2-4.4: SerialNumber: BED69CDC
cdc_acm 2-4.4:1.0: ttyACM0: USB ACM device
cdc_acm 2-4.4:1.2: ttyACM1: USB ACM device
```

# st-link

<https://github.com/texane/stlink>

```
dpavlin@nuc:/nuc/stm32$ git clone https://github.com/texane/stlink
```

```
dpavlin@nuc:/nuc/stm32/stlink$ ./build/Release/st-info --probe
```

```
Found 1 stlink programmers
  serial: 533f6a06483f55532144033f
openocd: "\x53\x3f\x6a\x06\x48\x3f\x55\x53\x21\x44\x03\x3f"
  flash: 65536 (pagesize: 1024)
  sram: 20480
  chipid: 0x0410
  descr: F1 Medium-density device
dpavlin@nuc:/nuc/stm32/stlink$
```

```
dpavlin@nuc:/nuc/stm32/stlink$ ./build/Release/st-flash erase
```

```
st-flash 1.3.1-14-geb03b7c
2017-04-07T17:37:27 INFO src/common.c: Loading device parameters....
2017-04-07T17:37:27 INFO src/common.c: Device connected is: F1 Medium-density device, id 0x200364
2017-04-07T17:37:27 INFO src/common.c: SRAM size: 0x5000 bytes (20 KiB), Flash: 0x10000 bytes (64 KiB)
Mass erasing
```

```
dpavlin@nuc:/nuc/stm32/blackmagic/src$ make HOST_PROBE=stlink
```

```
dpavlin@nuc:/nuc/stm32/blackmagic/src$ ../../stlink/build/Release/st-flash write blackmagic_dfu.bin
```

```
st-flash 1.3.1-14-geb03b7c
2017-04-07T17:41:59 INFO src/common.c: Loading device parameters....
2017-04-07T17:41:59 INFO src/common.c: Device connected is: F1 Medium-density device, id 0x200364
2017-04-07T17:41:59 INFO src/common.c: SRAM size: 0x5000 bytes (20 KiB), Flash: 0x10000 bytes (64 KiB)
2017-04-07T17:41:59 INFO src/common.c: Attempting to write 6780 (0x1a7c) bytes to stm32 address: 0x08001800
Flash page at addr: 0x08001800 erased
2017-04-07T17:41:59 INFO src/common.c: Finished erasing 7 pages of 1024 (0x400) bytes
2017-04-07T17:41:59 INFO src/common.c: Starting Flash write for VL/F0/F3 core id
2017-04-07T17:41:59 INFO src/flash_loader.c: Successfully loaded flash loader in sram
  6/6 pages written
2017-04-07T17:41:59 INFO src/common.c: Starting verification of write complete
2017-04-07T17:41:59 INFO src/common.c: Flash written and verified! jolly good!
```

```
dpavlin@nuc:/nuc/stm32/blackmagic/src$ ../../stlink/build/Release/st-flash --reset --flash=128k write blackmagic_dfu.bin
```

```
st-flash 1.3.1-14-geb03b7c
2017-04-07T17:45:52 INFO src/common.c: Loading device parameters....
2017-04-07T17:45:52 INFO src/common.c: Device connected is: F1 Medium-density device, id 0x200364
2017-04-07T17:45:52 INFO src/common.c: SRAM size: 0x5000 bytes (20 KiB), Flash: 0x10000 bytes (64 KiB)
Forcing flash size: --flash=0x00020000
2017-04-07T17:45:52 INFO src/common.c: Attempting to write 77076 (0x12d14) bytes to stm32 address: 0x08014c00
Flash page at addr: 0x08014c00 erased
2017-04-07T17:45:54 INFO src/common.c: Finished erasing 76 pages of 1024 (0x400) bytes
2017-04-07T17:45:54 INFO src/common.c: Starting Flash write for VL/F0/F3 core id
2017-04-07T17:45:54 INFO src/flash_loader.c: Successfully loaded flash loader in sram
  75/75 pages written
2017-04-07T17:45:58 INFO src/common.c: Starting verification of write complete
2017-04-07T17:45:59 INFO src/common.c: Flash written and verified! jolly good!
```

this flash instructions doesn't work, recepie above for blue pill is more recent