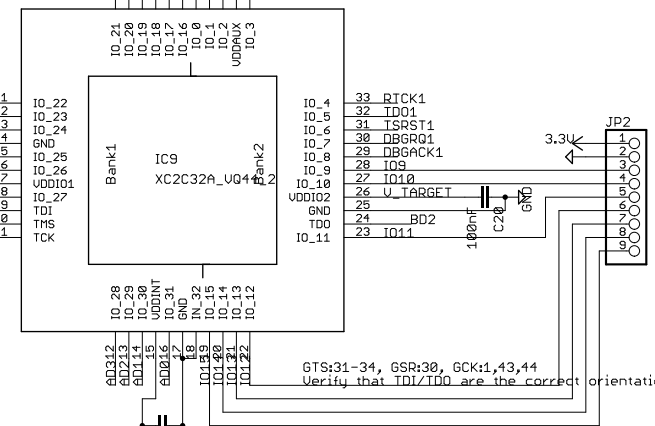
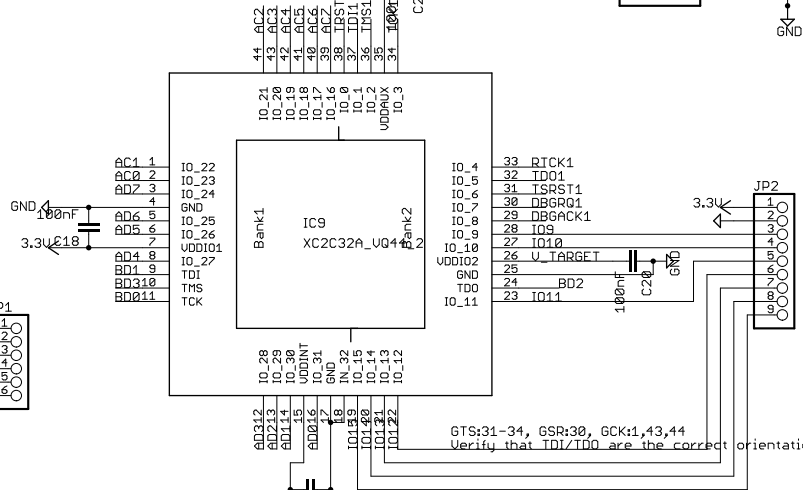
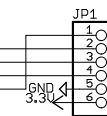


AD0 (TCK) and AC5 (FT245 clock out) are GCK pins



GTS:31-34, GSR:30, GCK:1,4,3,44
Verify that TDI/TDO are the correct orientation

TITLE: BusBlaster-v2.0a1	
Document Number:	REV:
Date: 9/7/13 10:54 AM	Sheet: 1/1